

Buzzer 220V AC

Model:HRB-N80



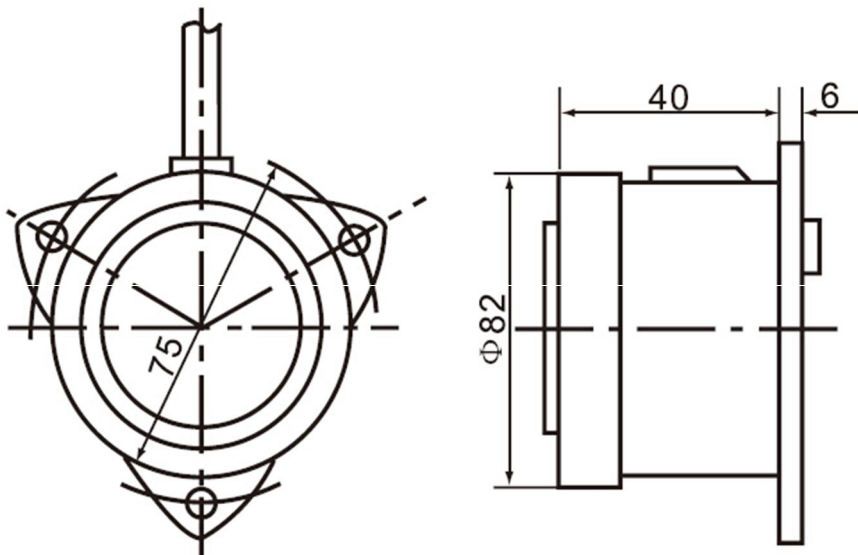
Features:

- The most popular electronic buzzer , suit for the industry field.
- High quality, and last working for a long time, no Electromagnetic Interference.
- Long life, and nice tone.
- Function: continual alarm and intermittent alarm optional.

Technical Data:

Model	Voltage	Current(A)	Frequency(Hz)	decibel	Size	Weight
HRB-N80	AC220V	30mA	50	80dB	8.4x8.2x4.9cm	97g

Shape:



Made in China