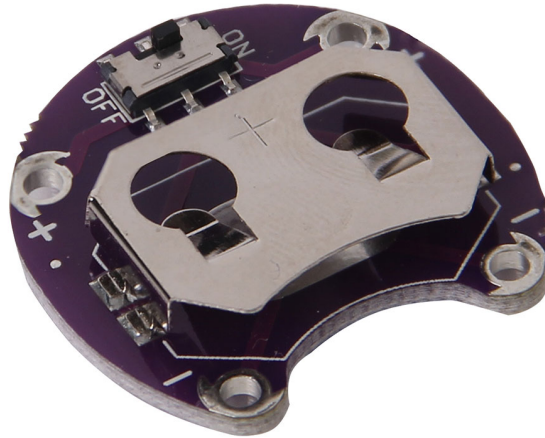


LILYPAD BATTERY HOLDER



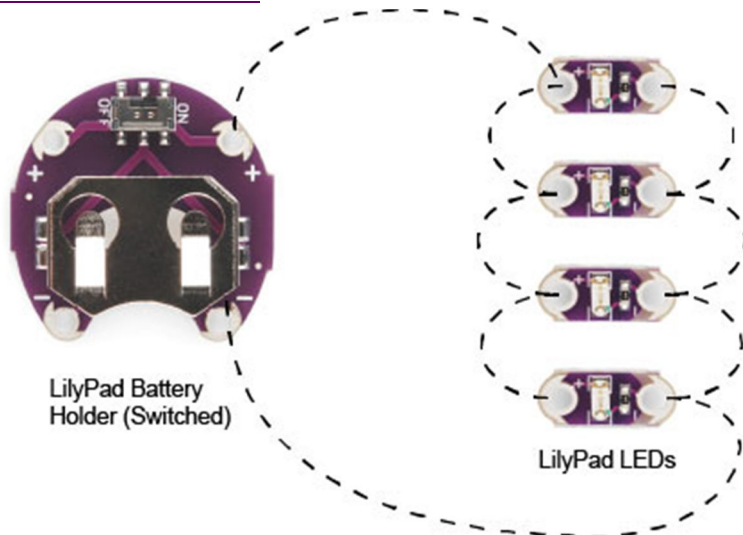
Description:

This LilyPad Coin Cell Battery Holder has a small slide switch installed on the board, in-line with the power so you can shut off your project and save batteries. This simple board holds a 20mm coin cell battery (such as a CR2032) and gives you 4 connection points (two positive and two negative) for sewing into your project. If you don't want a switch, you can use the LilyPad Battery Holder without a switch (like the one shown below), but we recommend the one with the switch.



LilyPad Battery Holder (without switch)

How to Connect:



Schematic:

