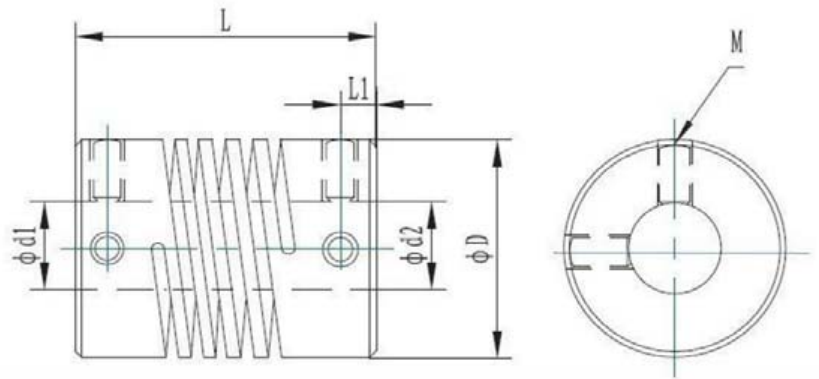


Stepper Motor Coupling 8x12mm



Specifications:

- Material: Aluminum
- L: 40mm
- D: 32mm
- d1: 8mm
- d2: 12mm
- Torque (N.m): Rated 2.6, Max. 5.2
- Angular Misalignment: $\leq 5^\circ$
- Maximum Speed: 5000rpm
- Screw Sizes: M4
- Often used to connect servo motor, stepper motor, encoder, screw driving, machine platform, etc.



Made in China