

MULTIMET

01-PC-DIN



Features

- Easy use with menu
- Improved dynamic software
- Ability to enter current and voltage transformer rates
- True RMS
- Voltage, current and frequency protection

- Phase Sequence Protection
- Multiple alarms
- Password
- 3P&4W, 3P&3W, ARON Connection

Measurements

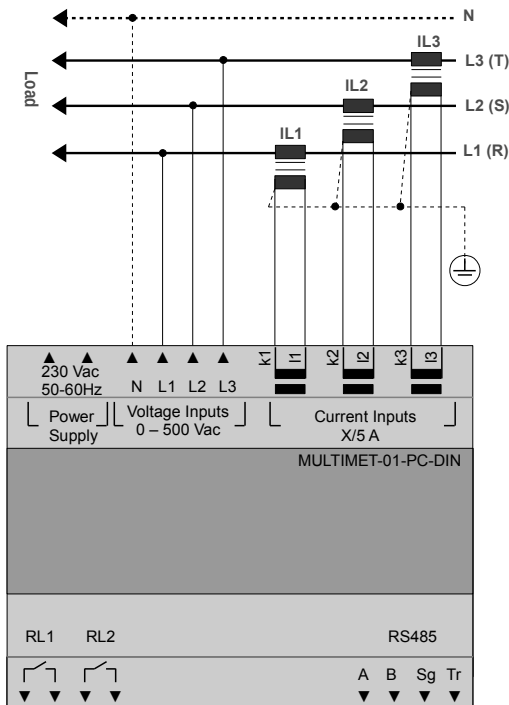
- Voltages (phase -neutral) VL1N, VL2N, VL3N
- Voltages (phase -phase) VL12, VL23, VL13
- Currents I1, I2, I3
- Frequency
- Neutral Current

- Phase Sequence Protection
- 2 Relay outputs
- RS-485 MODBUS -RTU
- 3P & 4W, 3P & 3W, ARON Connections
- Voltage Transformer Ratio
- Current Transformer Ratio
- Password
- LED display
- Dimension (105 x 90 x 35 mm)
- Din

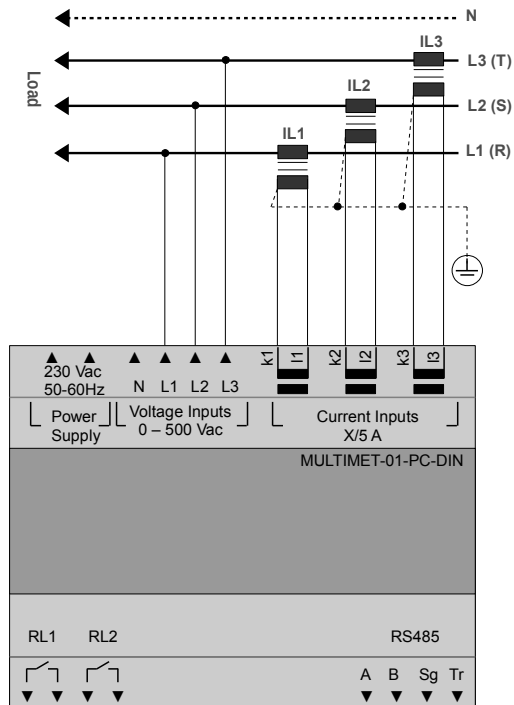
- Power Factors PF1, PF2, PF3
- Powers W, VAR, VA
- Peak
- Min, Max demand
- Voltage, Current, Frequency Protections

Installation Instructions

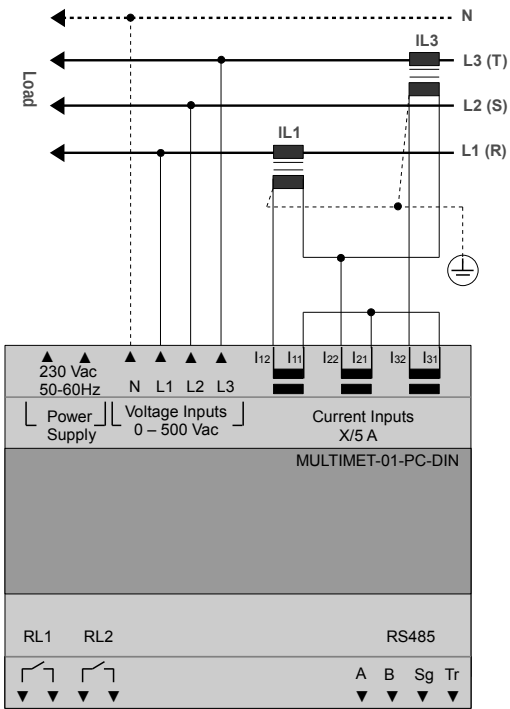
- 1- Before assembly of the device, remove panel fixing apparatuses.
 - 2- Place the device from front into the window opened in the panel as flush.
 - 3- Fix the device on to the panel by using fixing apparatuses from back part.
- Make the assembly in a manner to assure 50 cms space between the device and the wall to enable good ventilation of the device.



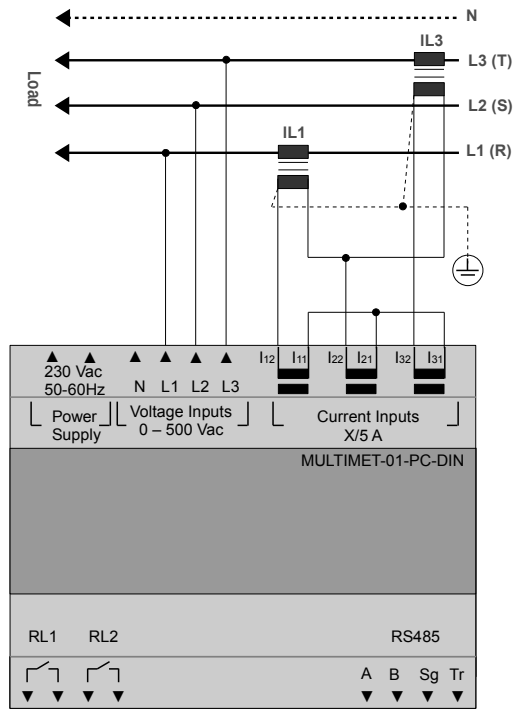
3 Phase 4 Wire (with neutral)




3 Phase 3 Wire (without neutral)



3 Phase ARON connection (with neutral) 



3 Phase ARON connection (without neutral) 

Made in Turkey