

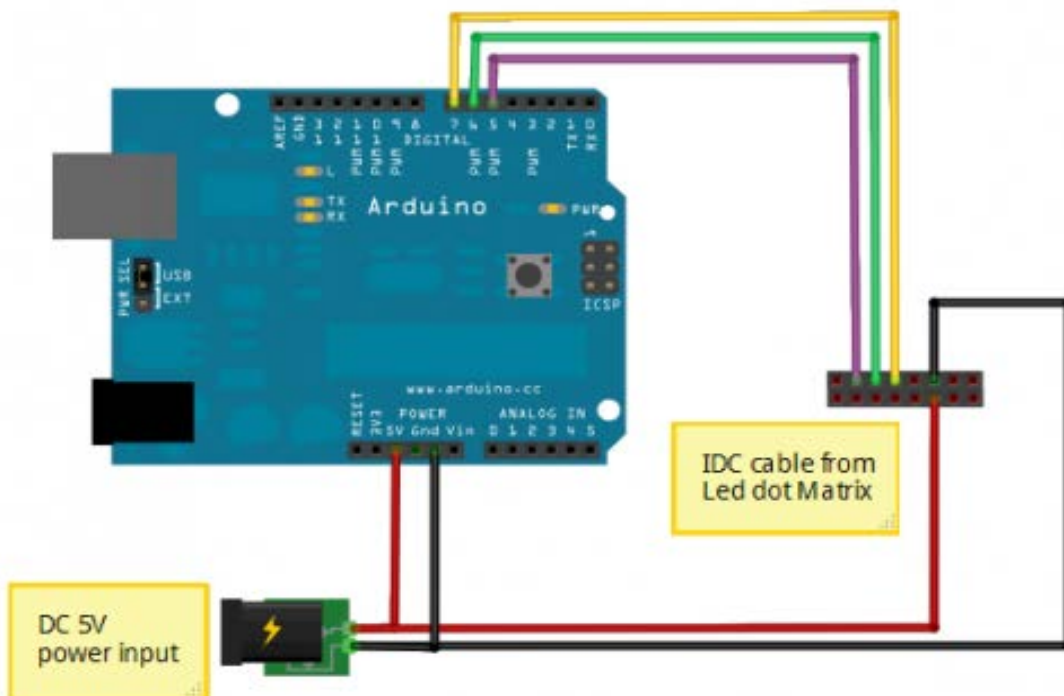
Arduino Dot Matrix RG 32x8 P7.62 Original User Manual



Components:

- [Arduino Uno](#)
- [32x8 Dot Matrix Led Display](#)
- [Ethernet Shield](#)
- [Network cable](#)
- A router connected to the internet
- [Jumper wires](#)

Wiring Diagram:



How to add library:

Distract the folder found in software, and just like adding any other library, copy the folder to *My Documents -> Arduino -> libraries*.

Note:

Arduino code found in Software

More example codes are found in Software