

Pneumatic Fitting Speed Reduce Valve 6MM Tube To 1/4" Thread Male

Model:SL6-02



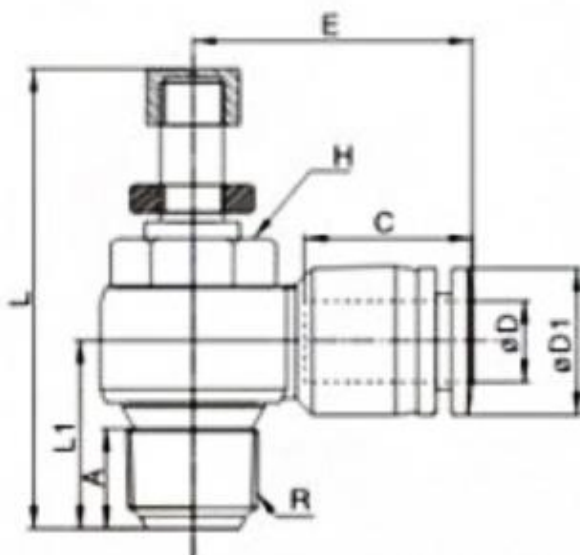
Features:

- Convenient One touch fittings provide instant tubing connections.
- Elliptical release ring facilitates pneumatic installations in confined spaces.
- Light manual pressure on the elliptical release ring is all that is required to instantly disconnect each tube-no special tools required.
- Nickel-plated brass threaded bodies ensures anti-corrosion and anti-contamination.
- All NPT & R(BSPT) thread are pre-coated with Teflon sealant and require no additional sealing.

Specifications:

Media	Air or Vacuum
Operating Pressure	0 ~ 1.0 MPa
Negative Pressure	-750mmHg
Pressure Proof	1.5 MPa
Operating Temperature Range	5 ~ 60C
The Material of Tube	Polyurethane or Nylon

Dimensions:



Model	φD	φD1	R	H	A	L-Min	L-Max	L1	E	C
SL6-01	6	12.5	R1/8	11	7.5	36.5	41	15.5	24	16.5
SL6-02	6	12.25	R1/4	14	10.5	44	48	19	25.5	16.5
SL6-03	6	12.5	R3/8	18	10.5	45.5	51	19.5	29	16.5
SL6-04	6	12.5	R1/2	22	11.5	50.5	56	22	31	16.5
SL8-01	8	14.5	R1/8	11	7.5	36.5	41	16.5	27	18
SL8-02	8	14.5	R1/4	14	10.5	44	48	19	27.5	18
SL8-03	8	14.65	R3/8	18	10.5	45.5	51	20	31	18
SL8-04	8	14.5	R1/2	22	11.5	50.5	56	22	33	18
SL10-01	10	17.5	R1/8	11	7.5	36.5	41	17	29	19.5
SL10-02	10	17.5	R1/4	14	10.5	44	48	20.5	31	19.5
SL10-03	10	17.5	R3/8	18	10.5	45.5	51	22	34	19.5
SL10-04	10	17.5	R1/2	22	11.5	50.5	56	22	37	19.5
SL12-02	12	10.5	R1/4	14	10.5	44	48	20.5	35	21.5
SL12-03	12	20.5	R3/8	18	10.5	45.5	51	23.5	37	21.5
SL12-04	12	20.5	R1/2	22	11.5	50.5	56	25	38.5	21.5

Made in China