

Proximity Inductive 12BX-8

Model:LJ12A3 -8-Z/BX



Description:

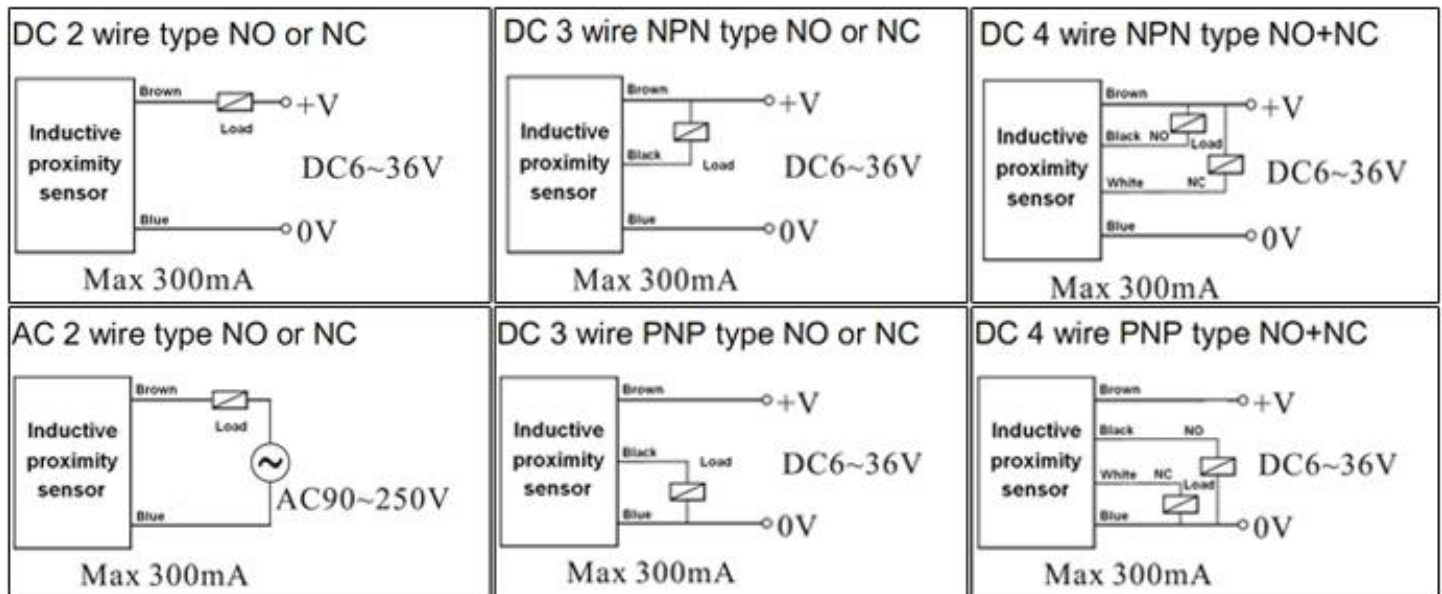
- Metal shell, DC type, 8mm detecting distance, 3 wire system.
- Power supply inverted connecting protection, short circuit protection, non-contact detecting device.
- When proximity switch is close to some target object, it will send out control signal.
- Used widely in the machine tool industry, frequency counters and other automatic control system.

Specifications:

Detection distance			8mm	
Dimensional drawing				
Model	DC Type	NPN	NO	LJ12A3-8-Z/BX
			NC	LJ12A3-8-Z/AX
			NO+NC	LJ12A3-8-Z/CX
		PNP	NO	LJ12A3-8-Z/BY

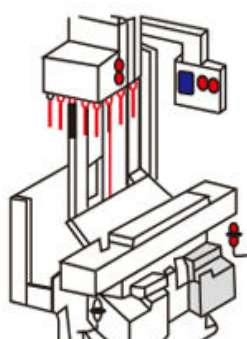
		NC	LJ12A3-8-Z/AY
		NO+NC	LJ12A3-8-Z/CY
	Two-wire	NO	LJ12A3-8-Z/EX
		NC	LJ12A3-8-Z/DX
Control output	DC		200mA
	SCR/Relay		300mA
Output voltage drop DC/AC			DC<2V DC(Two wire system) <3.9V AC<10V
Consumption current			DC<15mA AC<10mA
Standard detected object			18×18×1mm
Repeated precision			0.01
DC/AC Response frequency			400Hz/25Hz
Insulation resistance			≥50M
Shell material			Metal

Installation:



Applications legend:

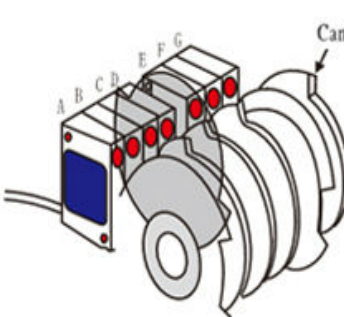
1、Various position detection in machining centre



Cylindrical type proximity switch

The diagram shows a cylindrical proximity switch mounted on a vertical shaft of a machining center. The switch is positioned to detect the presence of a metal part as it moves through the machine's structure.

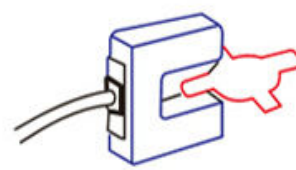
2、Action sequence cam detection



Flat type proximity switch

The diagram illustrates a flat type proximity switch with seven contact points labeled A through G. A cam wheel is positioned to sequentially engage these contacts as it rotates, triggering a sequence of actions.

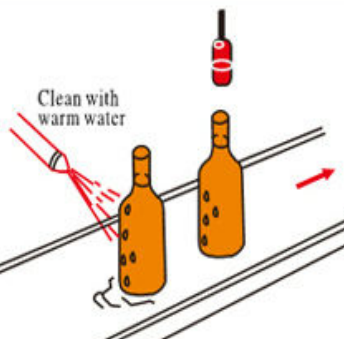
3、Pulser



Slot type proximity switch

The diagram shows a slot type proximity switch with a red irregularly shaped object passing through its slot. This configuration is used to generate a pulse signal when the object is detected.

4、Bottle cap detection



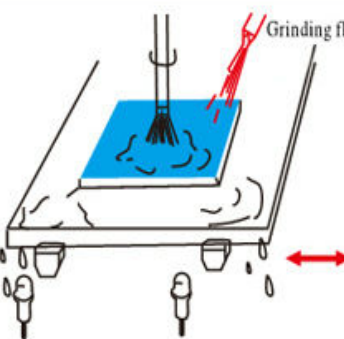
Clean with warm water

Multi-temperature environment

Water-proof type proximity switch

The diagram depicts a water-proof type proximity switch used for detecting bottle caps on a conveyor belt. A spray of water is directed at the caps, and the switch is designed to function in this multi-temperature, wet environment.

5、Grinder stop detection



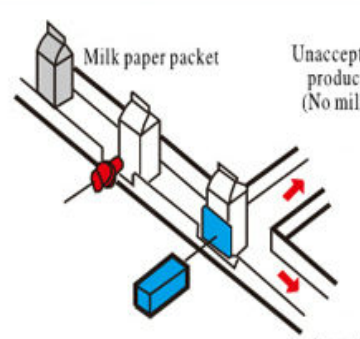
Grinding fluid

Stop

Water-proof type proximity switch

The diagram shows a water-proof type proximity switch used to detect the stop of a grinding wheel. Grinding fluid is shown being applied to the wheel, and the switch is positioned to detect the wheel's position in a wet environment.

6、Detect whether there is milk inside the paper packet



Milk paper packet

Unaccepted product (No milk)

Propeller

Accepted product

Capacitive type proximity switch

The diagram illustrates a capacitive type proximity switch used to detect the presence of milk inside a paper packet. A propeller is used to rotate the packets. The switch distinguishes between 'Unaccepted product (No milk)' and 'Accepted product' based on the dielectric properties of the contents.