

Relay 6V 3A

Model: SRS-06VDC-SL



.. MAIN FEATURES

- Subminiature Type.
- Silver or Silver Alloy Contacts with Gold Plated.
- Low Dissipation.
- Sealed Type Available.
- Design conforms to foreign safety standard UL,CUL,TUV

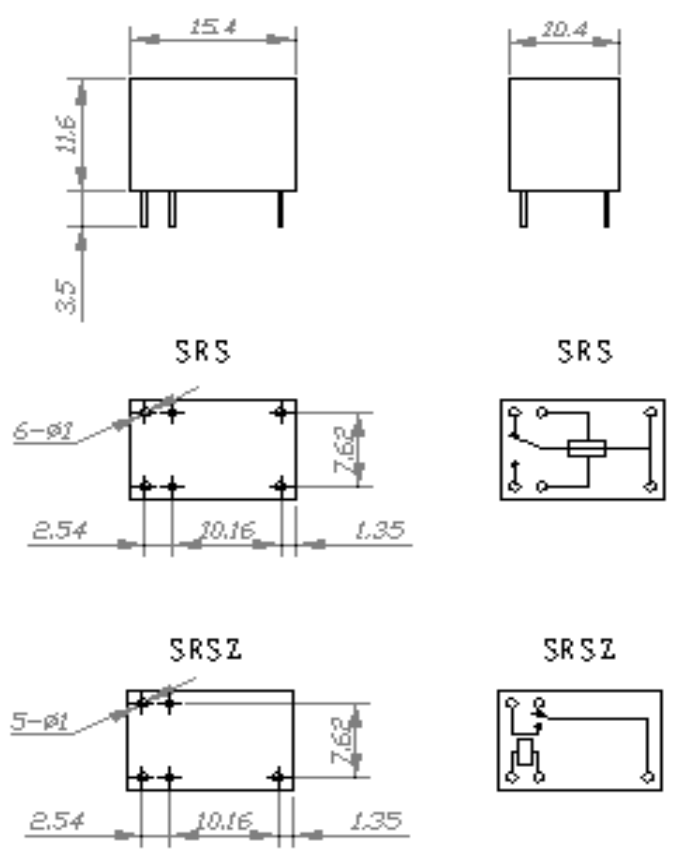
.. APPLICATIONS

Microprocessor Control, Store Program Exchanger and Household Appliance.

.. RATING

UL /CUL	FILE NUMBER: E167996	1A/120VAC 24VDC
TUV	FILE NUMBER: R50056114	3A/250VAC 30VDC
		3A/120VAC 24VDC

.. DIMENSION (unit:mm) DRILLING(unit:mm) WIRING DIAGRAM



.. COIL DATA CHART (AT20[○]C)

Coil Sensitivity	Coil Voltage Code	Nominal Voltage (VDC)	Nominal Current (mA)	Coil Resistance Ω □	Power Consumption (W)	Pull-In Voltage (VDC)	Drop-Out Voltage (VDC)	Max-Allowable Voltage (VDC)
SRS(Z) (High Sensitivity)				10%	abt. 0.2 W	75% Max.	5% Min.	110%
	03	03	66.7	45				
	05	05	40	125				
	06	06	33.3	180				
	09	09	22.2	405				
	12	12	16.7	720				
SRS(Z) (Standard)	03	03	120	25	abt. 0.36W	75% Max.	5% Min.	110%
	05	05	66.7	75				
	06	06	60	100				
	09	09	40.9	220				
	12	12	30	400				
	24	24	15	1600				
SRS(Z) (Normal Sensitivity)	03	03	150	20	abt. 0.45W	75% Max.	5% Min.	110%
	05	05	89.3	56				
	06	06	75	80				
	09	09	50	180				
	12	12	37.5	320				
	24	24	18.75	1280				

.. CONTACT RATING

Item	Type	1 Amp type	1 Amp type
	Contact Capacity Resistive Load ($\cos\Phi=1$)		Coil=0.2W 1A 125VAC 1A 30VDC
Inductive Load ($\cos\Phi=0.4$ L/R=7msec)		0.3A 125VAC 0.3A 30VDC	0.3A 250VAC 0.3A 30VDC
Rated Carrying Current		1 A	1 A
Contact Material		Ag Alloy	Ag Alloy

.. PERFORMANCE (at initial value)

Type	SRS/SRSZ
Item	
Contact Resistance	100m Ω Max.
Operation Time	10msec Max.
Release Time	5msec Max.
Dielectric Strength Between coil & contact	500VAC 50/60HZ (1 minute)
Between contacts	500VAC 50/60HZ (1 minute)
Insulation Resistance	100 M Ω Min. (500VDC)
Max. ON/OFF Switching Mechanically	300 operation/min
Electrically	30 operation/min
Operating Ambient Temperature	-25 \square C to +70 \square C
Operating Humidity	45 to 85% RH
Vibration Endurance	10 to 55HZ Single Amplitude 0.35mm
Error Operation Shock Endurance	10 to 55HZ Single Amplitude 0.35mm 50G Min.
Error Operation	10G Min.
Life Expectancy	10 ⁷ operations. Min. (no load)
Mechanically	10 ⁵ operations. Min. (at rated coil voltage)
Electrically Weight	abt. 4grs.

..REFERENCE DATA

