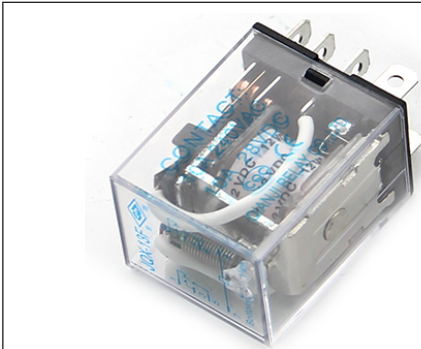


JQX-13F

MINIATURE INTERMEDIATE POWER RELAY



Features

- 15A switching capabilities
- 1&2 pole configurations
- 1.5KV dielectric between coil to contacts
- Various terminals available
- Various sockets available
- Conform to the CE low voltage directive

CONTACT DATA

Contact Arrangement	1C	2C
Initial Contact Resistance Max.	50mΩ(1A 6VDC)	
Contact Material	AgCdO	
Contact Rating (Res. Load)	1C: 15A 220VAC/28VDC 2C: 10A 220VAC/28VDC	
Max. switching voltage	250VAC/28VDC	
Max. switching current	15A	10A
Max. switching power	3300VAC/420W	2200VAC/280W
UL/CUR rating	1C: 15A 250VAC/28VDC 2C: 10A 250VAC/28VDC	
TÜV rating	1C: 15A 250VAC/28VDC 2C: 10A 250VAC/28VDC	
Mechanical life	2 x 10 ⁷ OPS	
Electrical life	1 x 10 ⁶ OPS	

COIL

Coil power	DC:0.9W AC:1.2VA
------------	------------------

COIL DATA

Nominal Voltage VDC	Pick-up Voltage VDC	Drop-out Voltage VDC	Coil Resistance Ω
5	4.0	0.5	27.5 ± 10%
6	4.8	0.6	40 ± 10%
12	9.6	1.2	160 ± 10%
24	19.2	2.4	650 ± 10%
48	38.4	4.8	2600 ± 15%
110	88.0	11.0	11000 ± 15%

CHARACTERISTICS

Initial Insulation Resistance	500MΩ, 500VAC	
Dielectric Strength	Between coil and Contacts	1500VAC 1min.
	Between open contacts	1000VAC 1min.
	Between contact sets	1500VAC 1min.
Operate time (at nomi. Volt.)	25ms	
Release time (at nomi. Volt.)	25ms	
Shock Resistance	Functional	100 m/s ²
	Destructive	1000 m/s ²
Vibration Resistance	1 mm, 10 to 55Hz	
Humidity	98%RH, +40°C	
Ambient temperature	-40°C to +70°C	
Termination	PCB & Plug-in	
Unit weight	37g	
Construction	Dust cover	

Nominal Voltage VAC	Pick-up Voltage VAC	Drop-out Voltage VAC	Coil Resistance Ω
6	4.80	1.8	11.5 ± 10%
12	9.60	3.6	46 ± 10%
24	19.2	7.2	184 ± 10%
48	38.4	14.4	735 ± 10%
120	96.0	36.0	4550 ± 15%
220/240	176.0	66.0	14400 ± 15%

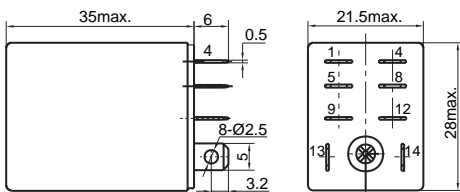
ORDERING INFORMATION

Type	JQX-13F /	A	012	2Z	1	D
Coil Source	A: AC Nil: DC					
Coil voltage	AC: 5 to 110VDC DC: 6 to 240VAC					
Contact arrangement	1Z: 1 Form C 2Z: 2 Form C					
Mounting Termination	1: Type 1 (Socket); 2: Type 2 (PCB); 3/4/5: Type 3/4/5 (Flange-Mounting); See the Following					
LED	D: With LED Nil: Without LED					

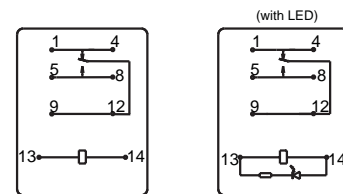
OUTLINE DIMENSIONS, WIRING DIAGRAM AND PC BOARD LAYOUT

JQX-13F/ -1Z1

Outline Dimensions



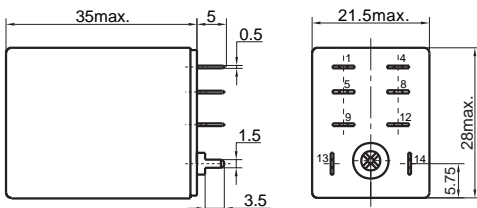
Wiring Diagram



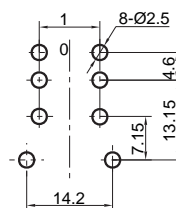
(Bottom view)

JQX-13F/ -2Z2

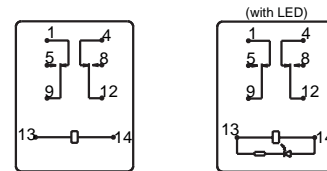
Outline Dimensions



PCB layout



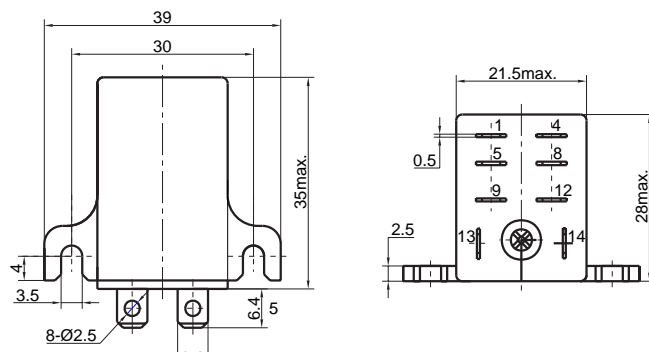
Wiring Diagram



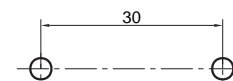
(Bottom view)

JQX-13F/ -2Z4

Outline Dimensions

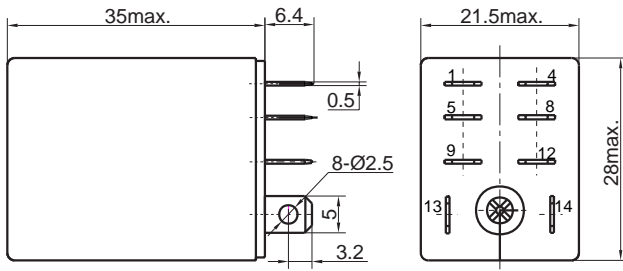


PCB layout

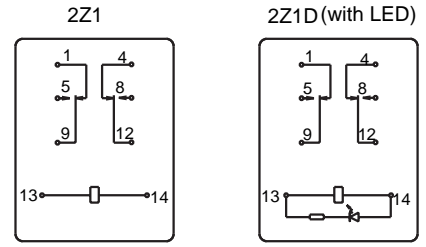


JQX-13F/ -2Z1

Outline Dimensions



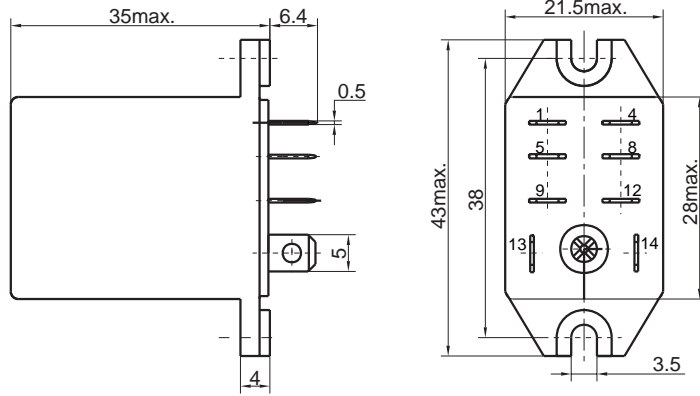
Wiring Diagram



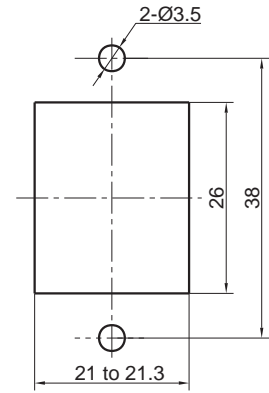
(Bottom view)

JQX-13F/ -2Z3

Outline Dimensions

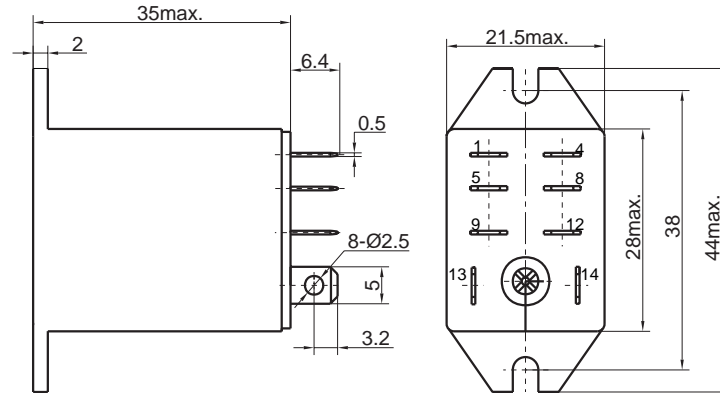


PCB layout

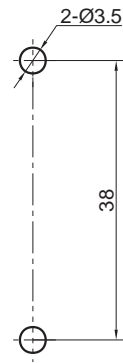


JQX-13F/ -2Z5

Outline Dimensions

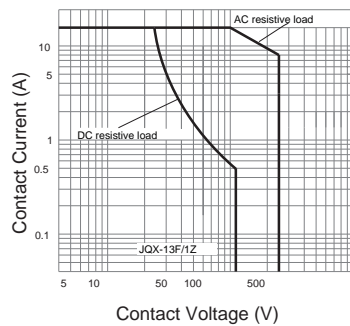


PCB layout



CHARACTERISTICS CURVE

MAXIMUM SWITCHING POWER(1Z)



MAXIMUM SWITCHING POWER(2Z)

