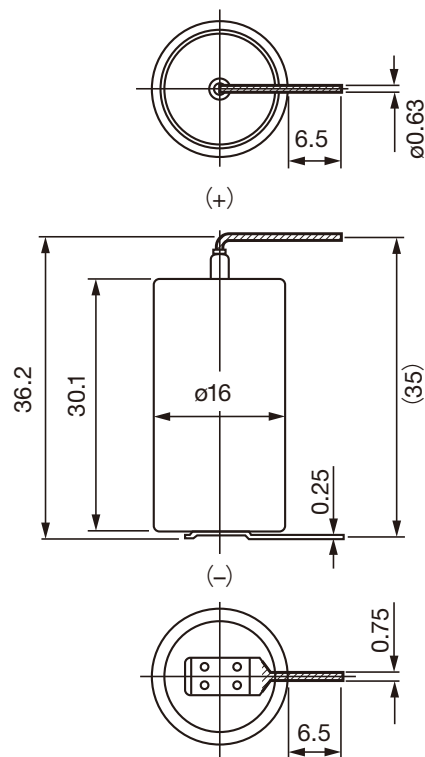


Model	ER17/33
System	Li-Thionyl Chloride/Inorganic Electrolyte
Nominal Voltage (V)	3.6
Nominal Capacity (mAh)*	1,600
Nominal Discharge Current (μA)	75
Operating Temperature Range (deg. C)	-55 to +85
Weight (g)**	13
Dimensions (mm)**	
Diameter	16.0
Height	35
UL Recognition	MH12568
(Technician Replaceable)	



Made in Japan