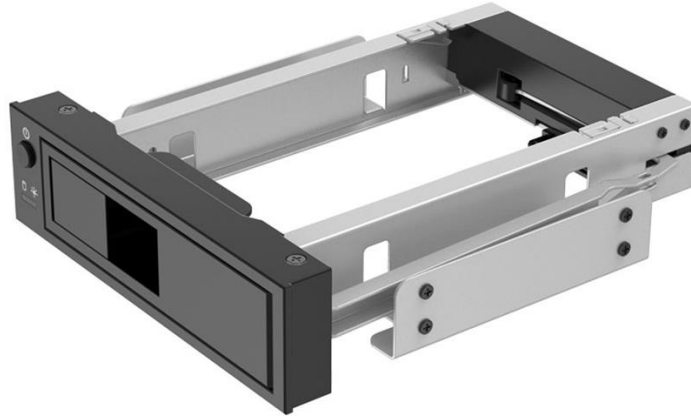


Stainless Steel 3.5" Internal Hard Drive Mounting Bracket

Model: ORICO 1106SS



Features:

1. Amazing converter allows accessing SATA I, II, III interface 3.5 inch hard disk drives (HDD) or solid state drives (SSD) easily, which you can enjoy high speed mass storage hard drive. It reads hard drives faster and more stable comparing with HDD enclosures and docking stations.
2. Tool free connector allows to install or uninstall hard drive to 5.25 inch bay without tools and screws in 3 seconds, it reads hard drive as quickly as playing CD or DVD and you can replace hard drive without power off and cutting down the system.
3. With its ORICO exclusive HDD care on/off switch, it gives hard drives good protection and can switch different hard drives and different systems easily, safer protection relieves your concerns.
4. Plug and play, LED lights indicating the working status.

Specifications:

- Compatible HDD Type: 3.5 inch HDD / SSD
- Product material: Metal & plastic
- Output interface 1106PS/SS: SATA 7PIN+ big 4PIN power interface
- HDD Interface: SATA I/II/III
- Switch: HDD Care ON/OFF Switch
- Driver: Not Required
- Supported systems: Windows 98SE/ME/2000/XP/VISTA/7/8 etc.
- Dimension: 183 x 146 x 42mm
- Net Weight: 320g

More Detailed Photos:

CD-ROM Space 3.5-inch HDD Frame



①



②



③

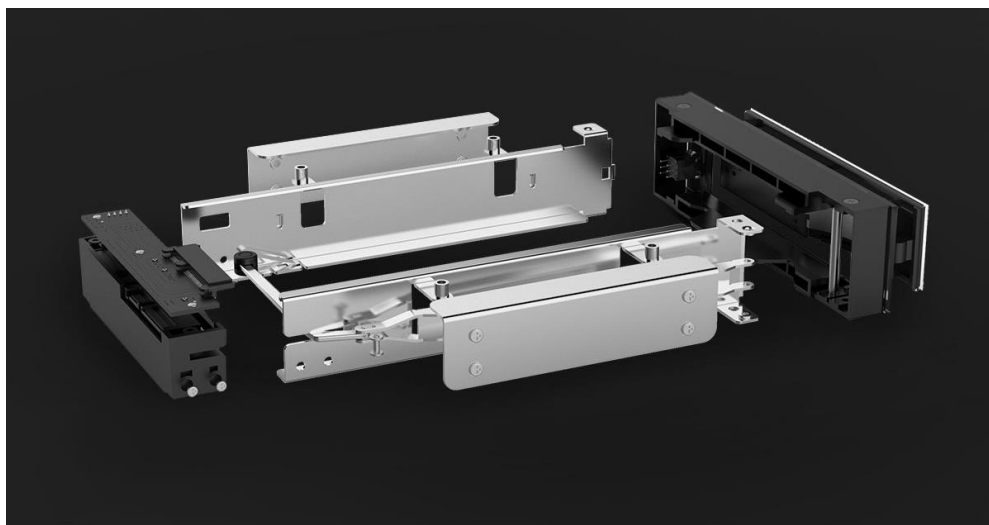


Compatibility

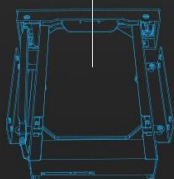
Tool-Free Installation and ensure your data safer

Unexpected Convenience

- Multiple can be installed on one computer case
- Convert the OS for your computer at any time
- Backup important data at any time

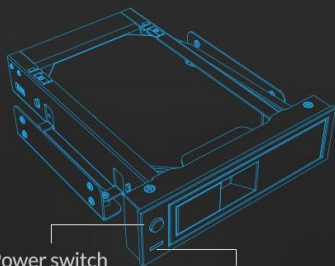


Excellent heat dissipation

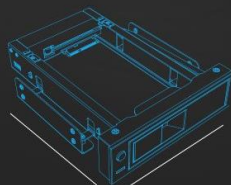


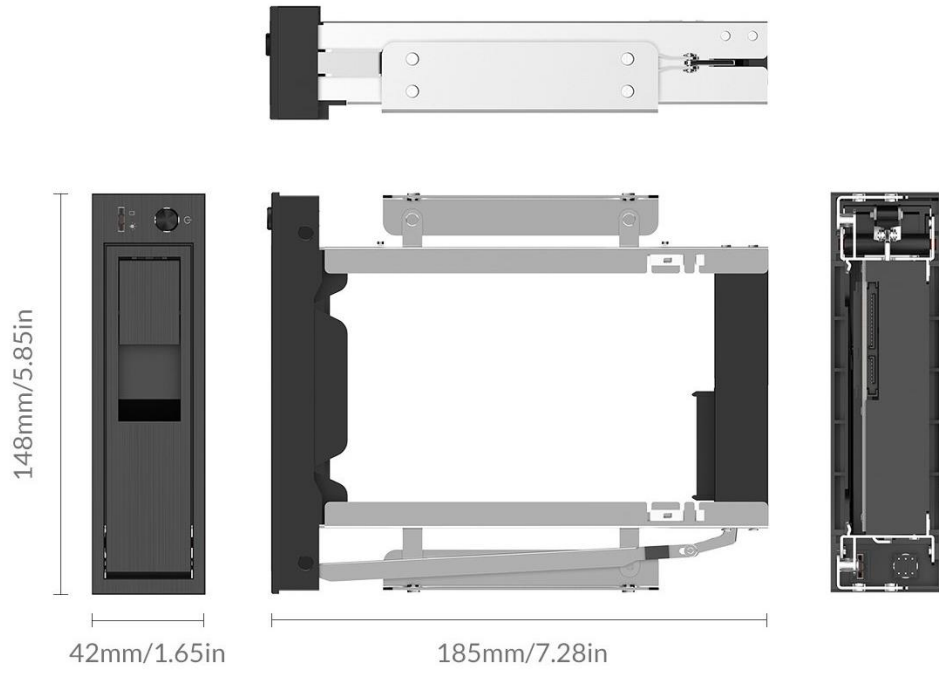
Power switch

LED lights



High quality





Made in China