

WiFi Touch Dimmer Wall Switch



Overview:

The touch wall switch with dimming function enables **remote lighting control from any place and at any time**. It is a modern alternative to traditional light switches. It is used in homes, offices, hotels, hospitals, wherever remote lighting control can significantly facilitate everyday functioning.

The switch is placed in place of the old, traditional switch. Turning on / off the lighting can be done in two ways: by **touching the buttons on the panel or using mobile devices** (tablet, phone etc.) through the home WiFi network.

Easy lighting control enables cooperation with the "**eWeLink**" **application** available in *GooglePlay* and *AppStore*. Allows you to control the device via telephone or tablet.

Amazon Alexa and Google Home applications also allow you to **control the lighting with your voice**.

The smart switch supports the **Timing function** - it allows you to create a schedule for each lighting item for each day of the week. Automatically turns on / off the lighting at desired times, allowing you to save energy.

Functions:

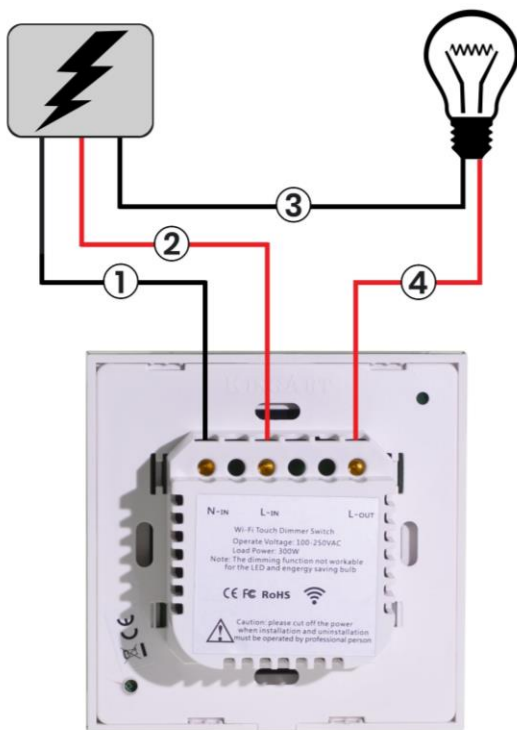
- Control using devices with Android and iOS systems
- Works with Amazon Alexa / Echo, Google Home
- Remote control on and off
- Dimming the lighting
- Possibility to program the lighting on / off at specific times (schedule)
- Creating scenes (switching on / off several switches simultaneously)
- Touch, flat panel
- Saving electricity

Technical Parameters:

- Connectivity: WiFi
- Supply voltage: AC 90-250V (50 / 60Hz)
- Maximum current: 10A (dimmer 2A)
- Rated power: 2200W
- Power consumption: <0.3W
- WiFi frequency: 2.4 GHz 802.11 b / g / h
- Power: neutral and live
- Coating material: fire retardant ABS
- Number of buttons: 3
- Number of channels: 1

Connection:

1. Neutral installation wire
2. Installation phase conductor
3. Neutral installation wire
4. Phase breaker wire

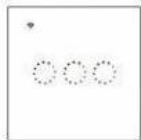
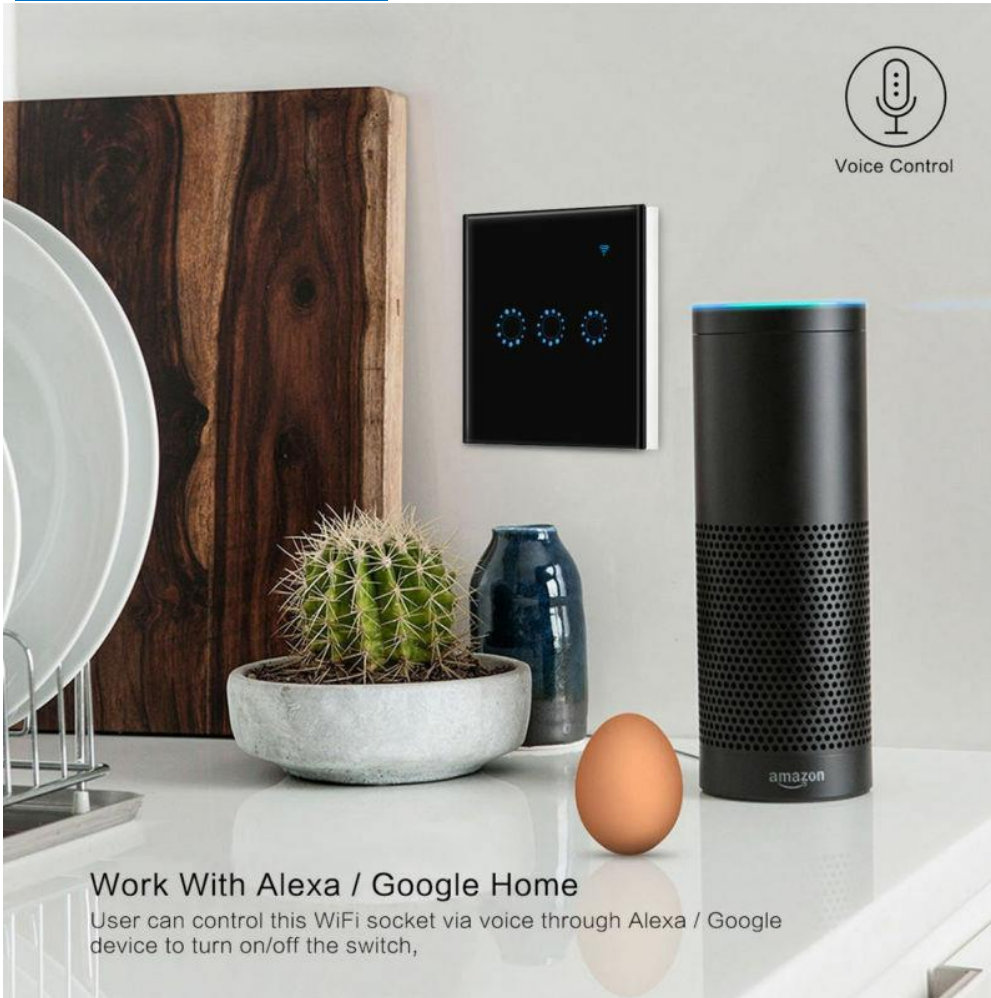


ATTENTION! To connect the switch in the box (where the traditional switch was previously placed), a neutral (neutral) lead is required, which will provide the power necessary for proper operation of the device.

Please ensure before purchase whether in a can such a cable is already located or if it is possible to bring it.

Turn the power off during installation.

More Product Details:



Connect Power



APP Download



Connect Network



Server

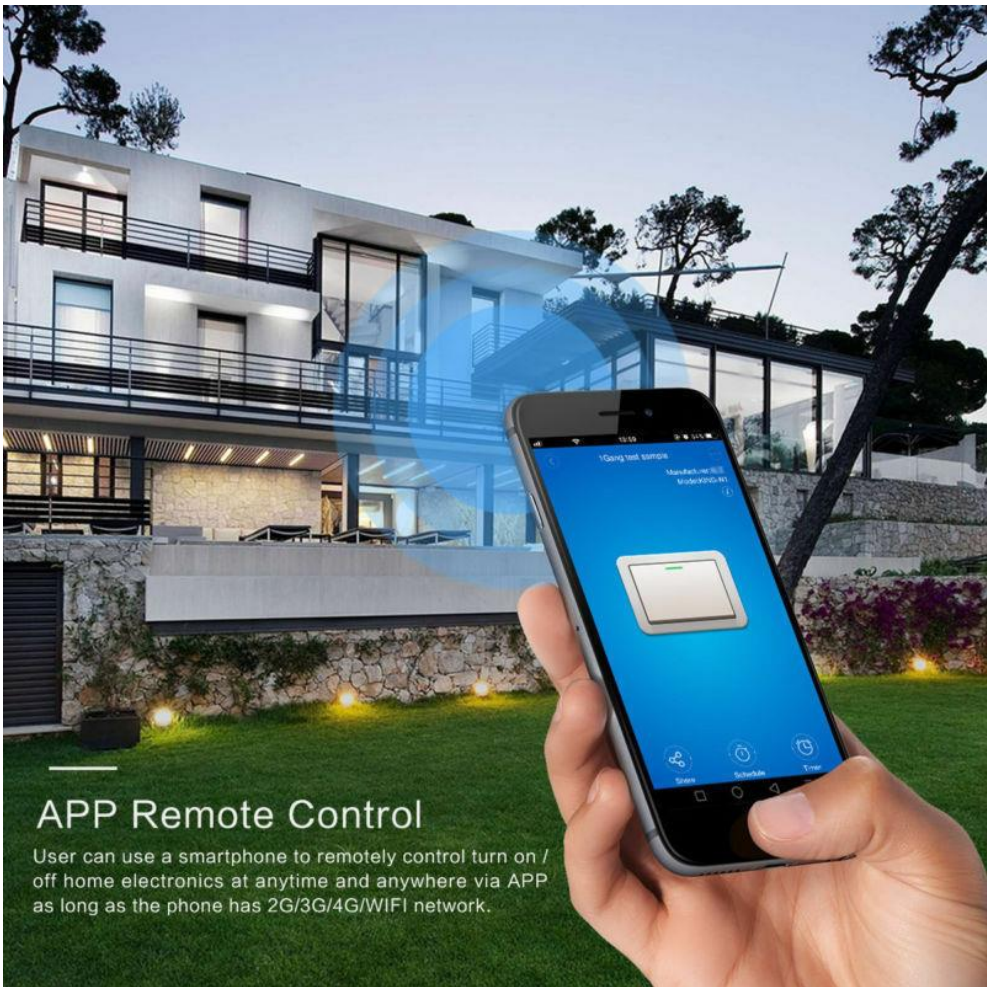


Phone



Wi-Fi Router

Switch



APP Remote Control

User can use a smartphone to remotely control turn on / off home electronics at anytime and anywhere via APP as long as the phone has 2G/3G/4G/WIFI network.



Support Timer Function

Includes Countdown, Single And Repeat Timer

it can set Max. 8 groups of timer setting. Support multi-player control, one switch can be controlled by up to 20 phones (by share function) and one phone can control several switch

