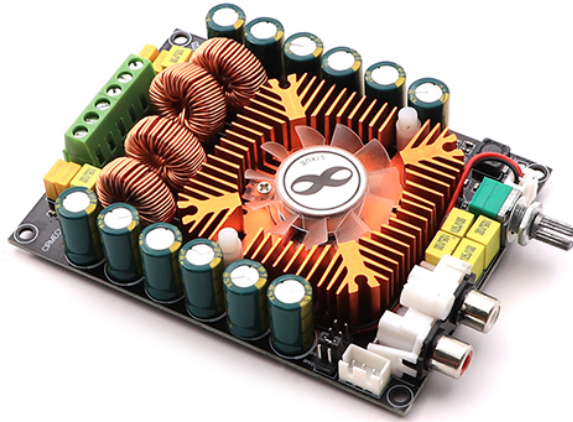


# 2 Channel Digital Audio High Power Amplifier

Model: TDA7498E



## Description:

Sound quality is very good and it can drive 4/6/8 ohm speakers. It has sufficient and high power output 2 x 160W. It supports BTL mode and when heat sink temperature rises to a certain extent, the cooling fan will work.

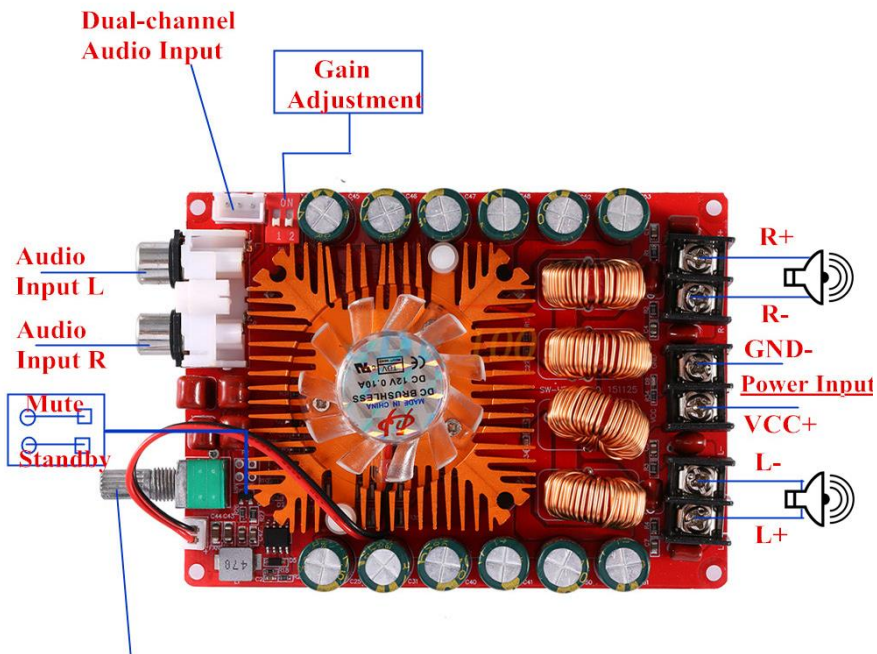
## Features:

1. High output power digital amplifier.
2. DC 15-36V power supply, with reverse polarity protection.
3. When heat sink temperature rises to a certain extent, the cooling fan will work.
4. Support BTL mode (J1, J2, J3, J4 on the back of amplifier board should be shorted), 36V 3ohm for single channel with 220W output.
5. Two-channel stereo, sound quality is very good.

## Specifications:

- Amplifier Chip: TDA7498E
- Working Voltage: DC 15-36V(Recommend 32V, 8A)
- Output Power: 2 x 160W
- Number of Channels: Two-channel Stereo
- Efficiency: 85%
- Applicable Speaker Impedance: 4/6/8ohm(8ohm is the best)
- PCB Board Size: 108 x 78mm / 4.25" x 3.1"
- Weight: 172g(approx.)

## Board Description:



Volume Potentiometer

## More Detailed Photos:

