

PNEUMATIC MUFFLER 1/8"

MODEL:BSL-01 1/8



Description:

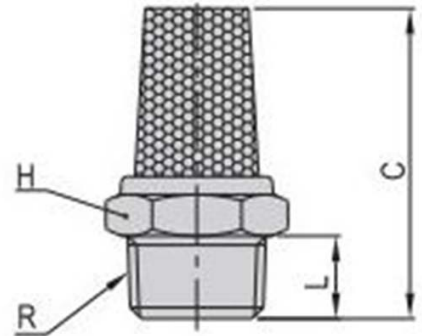
This silencer is used for reducing the dynamic noise from the pneumatic elements or device exhaust. Compact design allows easy installation in narrow space.

Specifications:

Model	BSL-01	BSL-02	BSL-03	BSL-04
Thread Connection	1/8"	1/4"	3/8"	1/2"
Silencing Effect (dB)	10	10	10	10
Operating Pressure	0~9 Kg/cm ² (0~9 Mpa)			
Negative Pressure	-750mmHg(10Torr)			
Proof Pressure	1.5Mpa			
Temperature Range	0~60 C°			
Material	Bronze			

Dimensions:

Model	R	L	C	H (Across flat)
BSL-01	1/8"	6	24	12
BSL-02	1/4"	8	30	15
BSL-03	3/8"	9	38.5	19
BSL-04	1/2"	12	47.5	22



Flowrate Characteristic:

