

# Pneumatic Fitting Speed Reduce Valve 12MM Tube To 3/8" Thread Male

Model:SL12-03



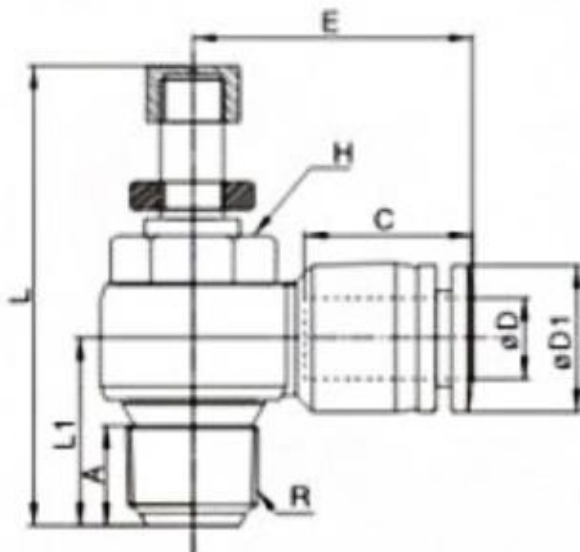
## Features:

- Convenient One touch fittings provide instant tubing connections.
- Elliptical release ring facilitates pneumatic installations in confined spaces.
- Light manual pressure on the elliptical release ring is all that is required to instantly disconnect each tube-no special tools required.
- Nickel-plated brass threaded bodies ensures anti-corrosion and anti-contamination.
- All NPT & R(BSPT) thread are pre-coated with Teflon sealant and require no additional sealing.

## Specifications:

Media	Air or Vacuum
Operating Pressure	0 ~ 1.0 MPa
Negative Pressure	-750mmHg
Pressure Proof	1.5 MPa
Operating Temperature Range	5 ~ 60C
The Material of Tube	Polyurethane or Nylon

## Dimensions:



<b>Model</b>	<b>φD</b>	<b>φD1</b>	<b>R</b>	<b>H</b>	<b>A</b>	<b>L-Min</b>	<b>L-Max</b>	<b>L1</b>	<b>E</b>	<b>C</b>
<b>SL6-01</b>	6	12.5	R1/8	11	7.5	36.5	41	15.5	24	16.5
<b>SL6-02</b>	6	12.25	R1/4	14	10.5	44	48	19	25.5	16.5
<b>SL6-03</b>	6	12.5	R3/8	18	10.5	45.5	51	19.5	29	16.5
<b>SL6-04</b>	6	12.5	R1/2	22	11.5	50.5	56	22	31	16.5
<b>SL8-01</b>	8	14.5	R1/8	11	7.5	36.5	41	16.5	27	18
<b>SL8-02</b>	8	14.5	R1/4	14	10.5	44	48	19	27.5	18
<b>SL8-03</b>	8	14.65	R3/8	18	10.5	45.5	51	20	31	18
<b>SL8-04</b>	8	14.5	R1/2	22	11.5	50.5	56	22	33	18
<b>SL10-01</b>	10	17.5	R1/8	11	7.5	36.5	41	17	29	19.5
<b>SL10-02</b>	10	17.5	R1/4	14	10.5	44	48	20.5	31	19.5
<b>SL10-03</b>	10	17.5	R3/8	18	10.5	45.5	51	22	34	19.5
<b>SL10-04</b>	10	17.5	R1/2	22	11.5	50.5	56	22	37	19.5
<b>SL12-02</b>	12	10.5	R1/4	14	10.5	44	48	20.5	35	21.5
<b>SL12-03</b>	12	20.5	R3/8	18	10.5	45.5	51	23.5	37	21.5
<b>SL12-04</b>	12	20.5	R1/2	22	11.5	50.5	56	25	38.5	21.5

*Made in China*