

Rotary Potentiometer 22MM 10K

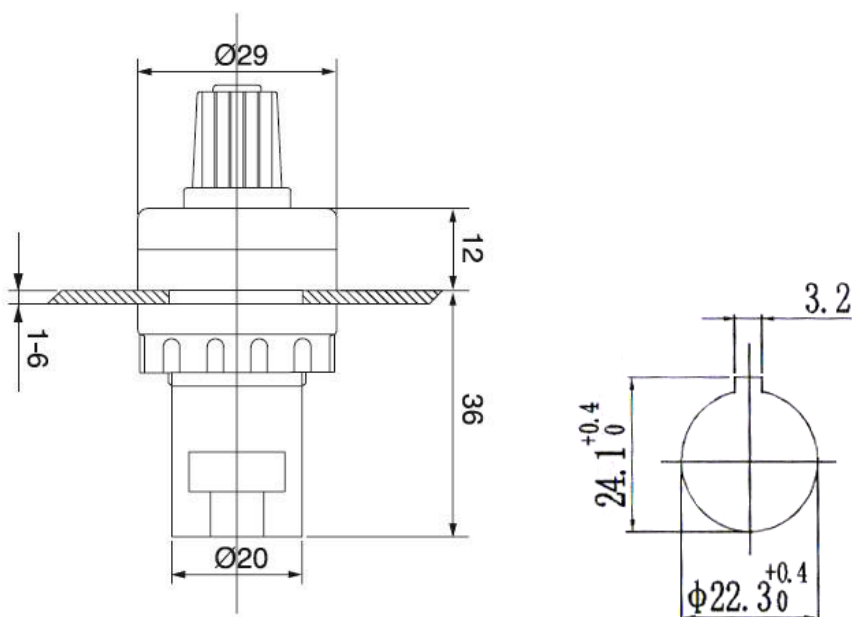
Model: LA42DWQ-22 10K



Specifications:

| | | | |
|------------------------------|-------------------|---------------------------|-----------------------|
| Resistance | 10K | Mounting Hole | 22mm |
| Rated insulation voltage | AC600V | Operating Temperature | -25 °C ~ +60 °C |
| Conventional heating current | 10A | Air relative humidity | ≤ 98% |
| Rated power | 0.5W | Installation limit height | ≤ 2000m |
| Power frequency voltage | 2500 V / min | Installation Category | Class III |
| Contact resistance | ≤50mΩ | Pollution level | 3 rd Class |
| Anti-vibration | 10-2000Hz.1mm.15g | Protection level | IP65 |
| Life | 1,000,000 times | | |

Dimensions:



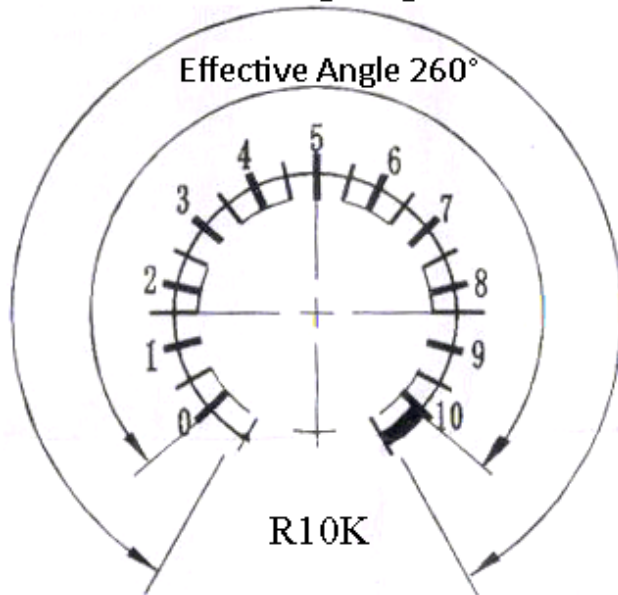
Installation & Wiring:

Align the positioning block with the notch of the mounting hole, push the button into the mounting hole, and tighten the thread ring.



By wiring 3 terminals differently and turning the knob clockwise, LA42DWQ output increases or decreases the resistance, adapting to different application requirements.

Full Rotating Range 290°



Made in China